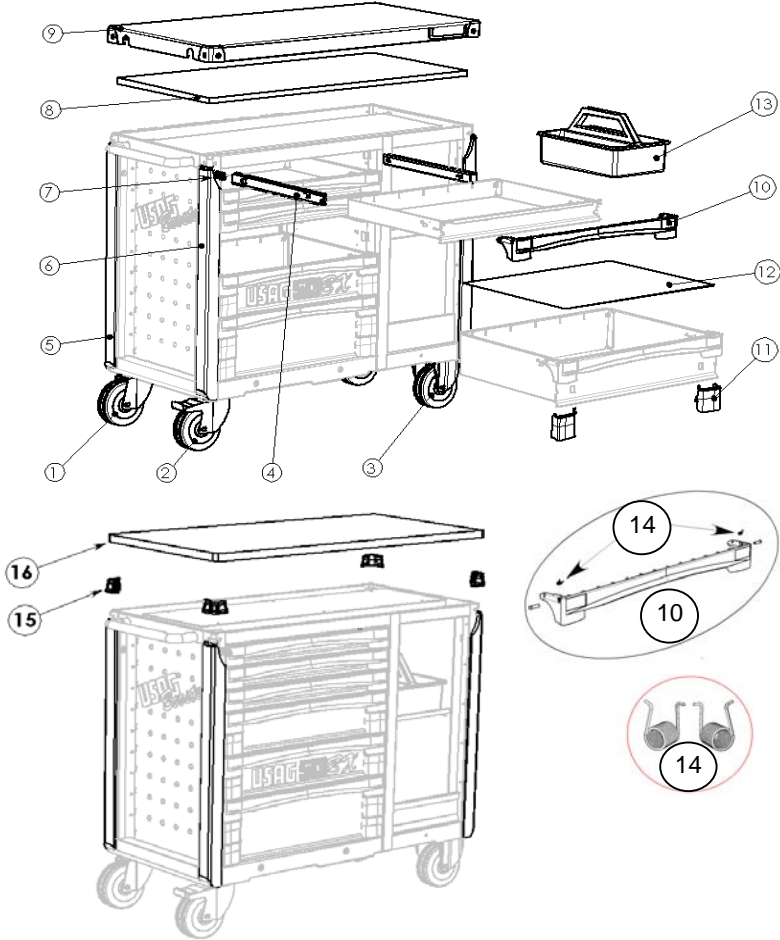
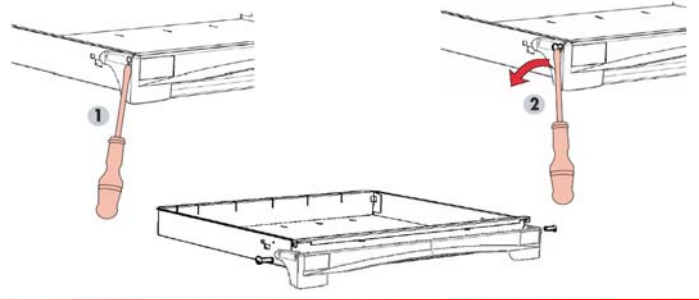
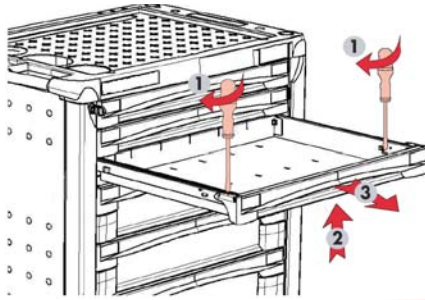




# 513 BX BANCO MOBILE ROLLER CABINET



Pezzi di Ricambio  
Pièces de rechange  
Spare parts  
Piezas de recambios

	<b>USAG</b>	<b>513 BX6V 513 BX6GV</b>	<b>513 BX6LV 513 BX6LGV</b>
1	Q05130006	1	1
2	Q05130007	1	1
3	Q05130005	2	2
4	Q519483	6	6
5	Q519491	2	2
6	Q519492	2	2
7	Q519070	1	1
8	Q05130019	1	-
9	Q05130018	1	-
10	Q519488	6	6
11	Q519489	4	4
12	Q519487	6	6
13	Q05130002	1	1
14	Q519490	6	6
15	Q05130021	-	2
16	Q05130020	-	1



**519 RA1**



**519 RA4**



**519 RA2**



**519 RA5**



Utensilerie Associate S.r.l. Via Volta, 3 - 21020 Monvalle (VA) - Italy

Tél +39/0332/790111 Fax +39/0332/790602

www.usag.it e-mail: info.mv@usag.it

Cod. Y080260030/1