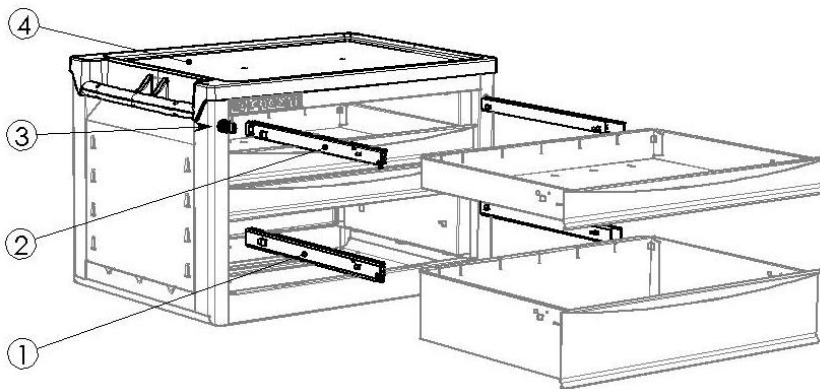
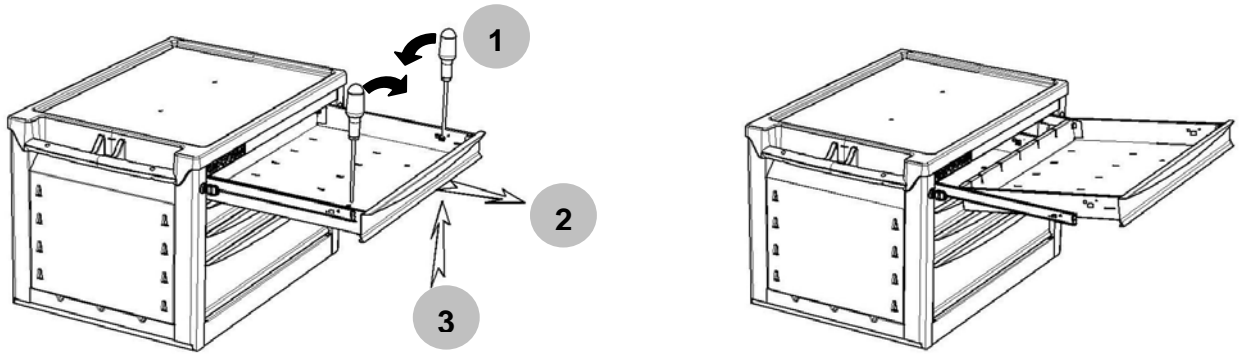
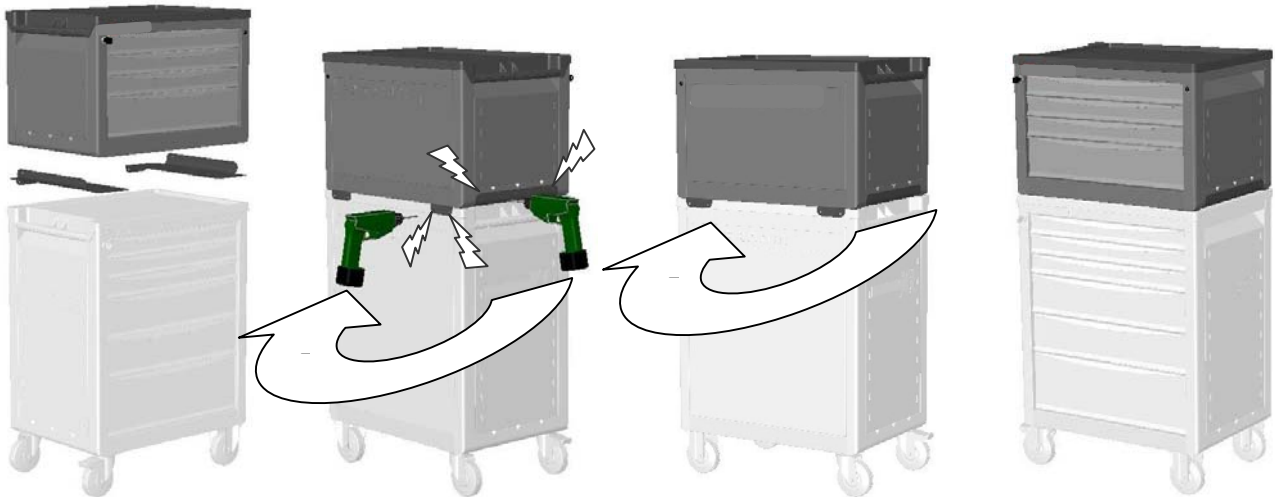




523 SX
CASSETTIERA-DRAWER CHEST



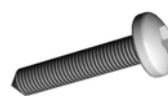
	USAG	523 SX4
1	Q05180009	1
2	Q05180008	3
3	Q519070	1
4	Q05180007	1



1

2

3



x 8